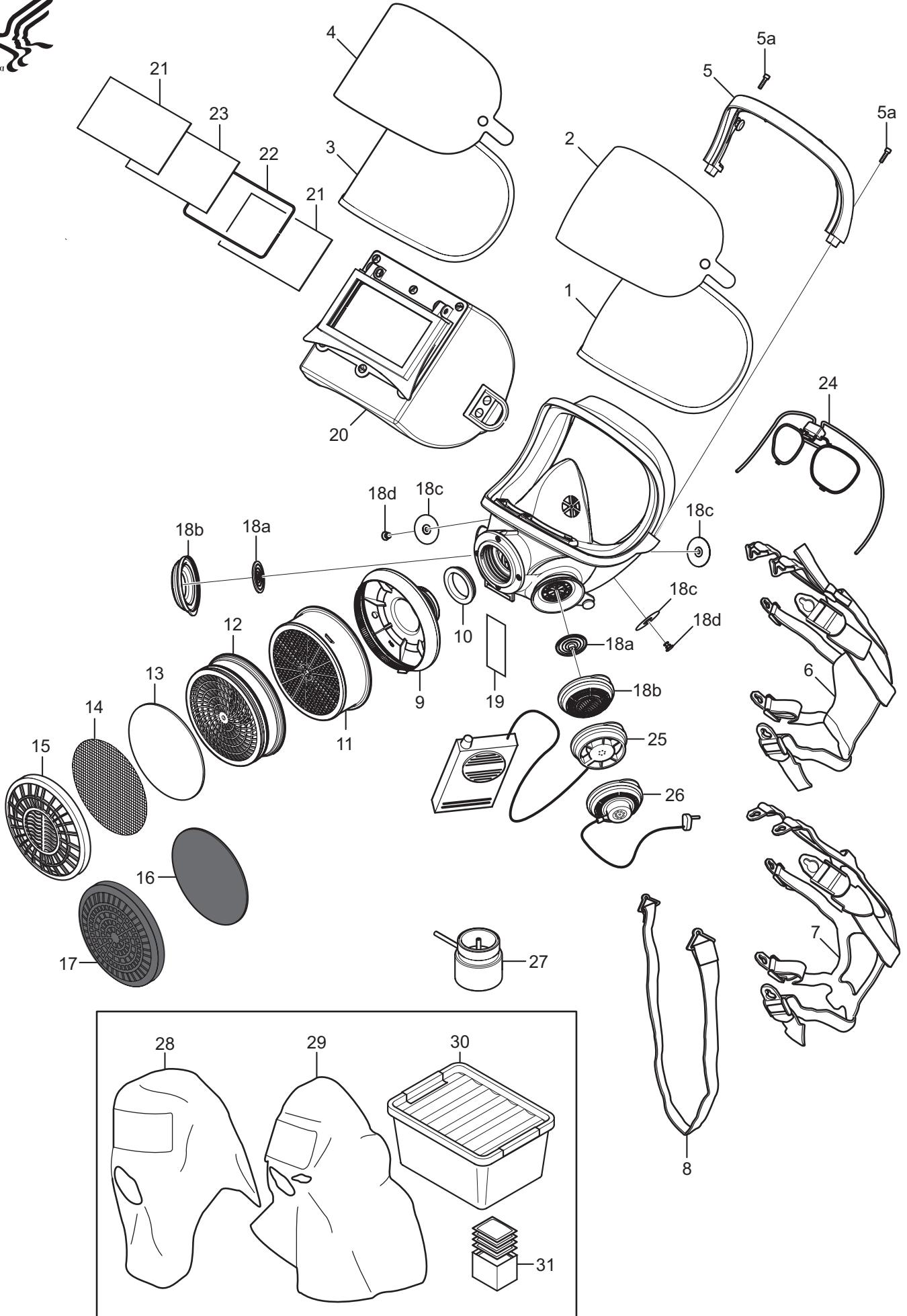


Spare parts / Accessories



No.	Description	Ordering No.
1.	PC-visor SR 366 (polycarbonate)	R01-1201
2.	Protective Film, SR 343	T01-1204
3.	Visor, laminated glass	T01-1203
4.	Protective Film, SR 353	T01-1205
5.	Upper frame half	R01-1202
5a.	Screw x2	-
6.	Head harness, fabric	R01-1203
7.	Rubber Head Harness	T01-1215
8.	Carry strap	R01-1206
9.	Filter adapter SR 280-3	H09-0212
10.	Gasket for filter connection	R01-1205
11.	Chemical Cartridge (SR 218-6 OV, SR 231 CL/HC/SD/FM, SR 232 OV/SD/CL/HC/HF, SR 229 AM/MA)	-
12.	Particulate Filter P100, SR 510	H02-1321
13.	Pre-filter SR 221	H02-0121
14.	Spark Arrester SR 336	T01-2001
15.	Pre-filter holder SR 5153	R01-0604
16.	Fit check disc SR 322	R01-0303
17.	Decontamination Cap	R03-1406
18.	Set of membranes	R01-1204
18a.	Exhalation x2	-
18b.	Valve covers x2	-
18c.	Inhalation x3	-
18d.	Dowels x2	-
19.	Permanent ID tag SR 368	R09-0101
20.	Welding Cassette SR 84	T01-1212
21.	Protective lens	R03-0507
22.	Retaining clip	R03-0518
23.	Welding lens EN 10 60x110	R03-0510
	Welding lens EN 11 60x110	R03-0511
	Welding lens EN 12 60x110	R03-0512
24.	Spectacle kit for corrective lenses SR 341	T01-1201
25.	SmallTalk Voice Amplifier, ST2-SR	T01-1219
26.	Microphone SR 342	T01-1213
27.	Fit Test Adapter SR 370	T01-1206
28.	Protective hood SR 64	H09-0321
29.	Protective hood short SR 345	H09-1021
30.	Storage box SR 344	T01-1214
31.	Cleaning wipes SR 5226. Box of 50.	H09-0401